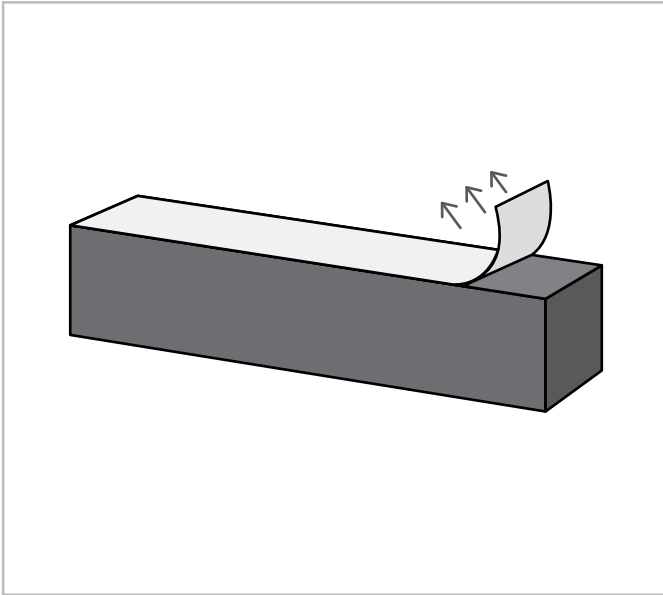
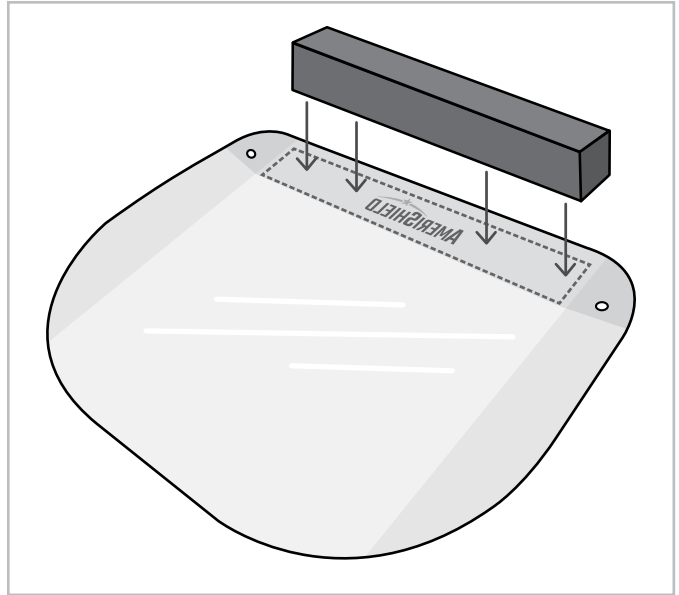




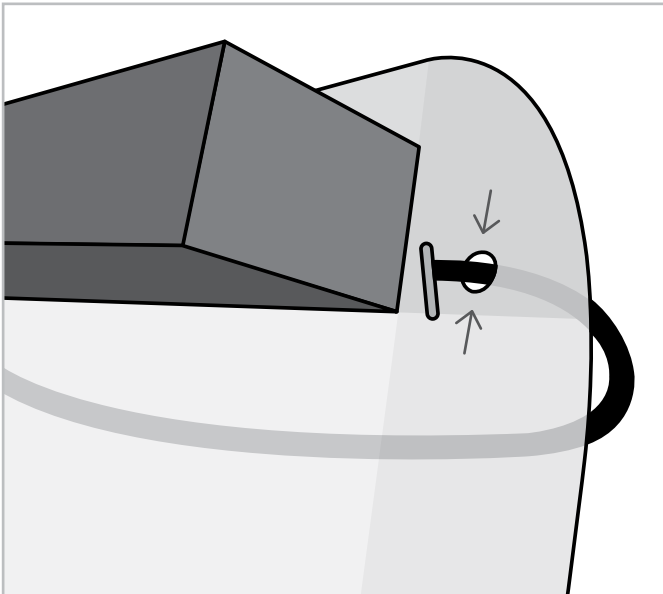
FACE SHIELD CX • ASSEMBLY INSTRUCTIONS



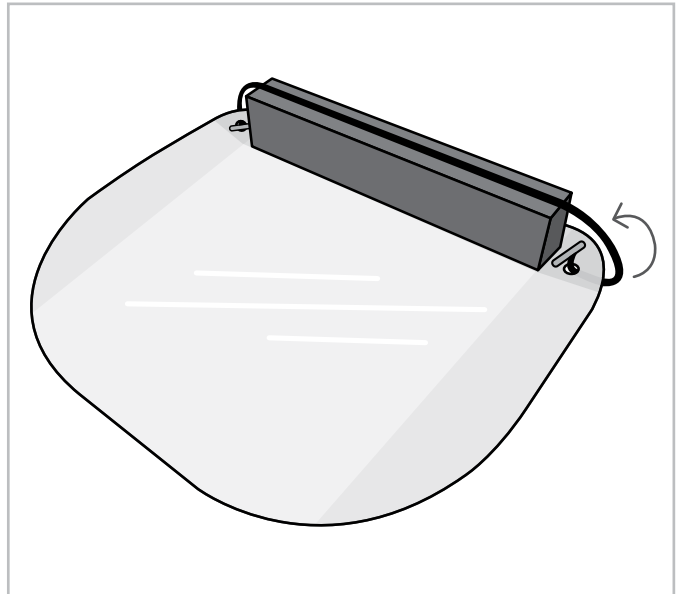
1. Remove backing tape from foam.



2. Lay shield flat with logo side down. Place foam with sticky side down on top of shield. Align between holes and at the bottom edge of the printed area.



3. Thread the metal tip of the elastic cord through the hole from the outside of the shield. Repeat with other hole.



4. Pull elastic cord over to the inside of the shield. Place foam on forehead and wrap elastic string around back of head.

REORDER ONLINE: AMERISHIELD.COM